

BATHROOM FAUCET:

- Single Handle Deck Mount
- 1 or 3 Hole Sink Applications

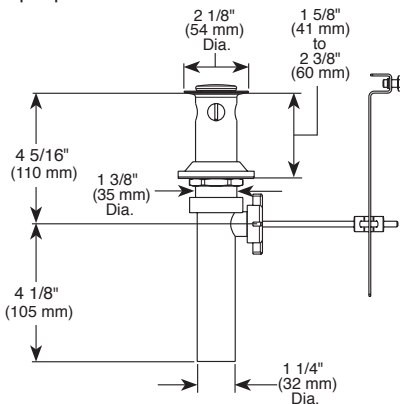
STANDARD SPECIFICATIONS:

- Maximum 1.0 gpm @ 60 psi, 3.8 L/min @ 414 kPa.
- Solid brass casted body.
- One or three hole mount (escutcheon optional, included).
- ceramic cartridge
- Red/Blue indicator markings
- Polymer braided flexible supply hose with 3/8" compression fitting - 27 15/16" (709mm) long
- Models have drain with pop-up type fitting with plated lange and stopper.

WARRANTY:

- Parts and Finish - Lifetime limited warranty; or for commercial purchasers, 10 years for multi-family residential (apartments and condominiums) and 5 years for all other commercial uses, in each case from the date of purchase.

RP38958▲ 50/50 Pop-Up



COMPLIES WITH:

- ASME A1 12.18.1 / CSA B125.1
- ASME A1 12.18.2 / CSA B125.2
- ♿ Indicates compliance to ICC / ANSI A117.1- Valve control only
- EPA WaterSense®

▲ Designate proper finish suffix